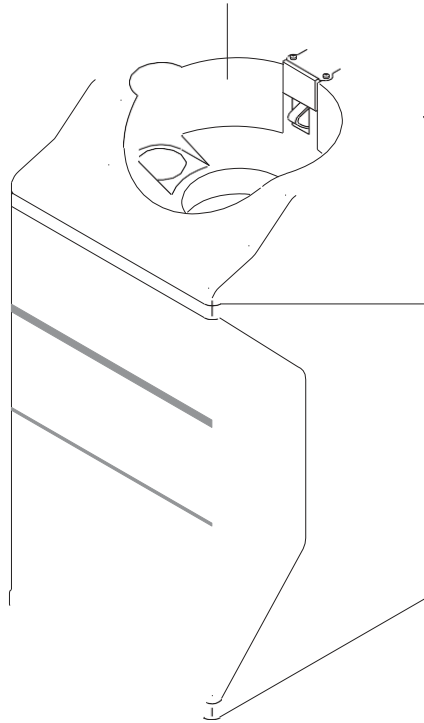




# SCLS IV/ AQUANOMIC EU IV DISPENSING MODULE



## Installation and Operation Manual

Retain this manual for installation, operation, and servicing information.

370 Wabasha Street N. St. Paul, MN 55102  
[www.ecolab.com](http://www.ecolab.com)

© 2016 Ecolab Inc. All rights reserved  
29516/0407/0117  
Part No. 9259-2002

# TABLE OF CONTENTS

1.1	System Introduction .....	1-1
1.2	Preface .....	1-1
1.3	System Features .....	1-1
2.1	Requirements/Specifications .....	2-1
2.2	Utility Requirements .....	2-1
2.2.1	Electrical Supply Requirements .....	2-1
2.2.2	Water Supply Requirements .....	2-1
2.2.3	Electrical .....	2-1
2.3	Specifications .....	2-2
2.3.1	Dimensions .....	2-2
3.1	System Installation .....	3-1
3.2	Installation Procedure .....	3-1
3.1.1	Mounting the SCLS IV to the SCLS .....	3-1
3.3	Wiring (wiring diagram below Figure 3-2) .....	3-2
3.4	Plumbing .....	3-3
4.0	System Programming .....	4-1
5.0	Startup and Operation .....	5-1
6.1	Troubleshooting .....	6-1
6.2	Product not dispensing .....	6-1
7.0	Replacement Parts .....	7-1

# 1.1 System Introduction

## 1.2 Preface

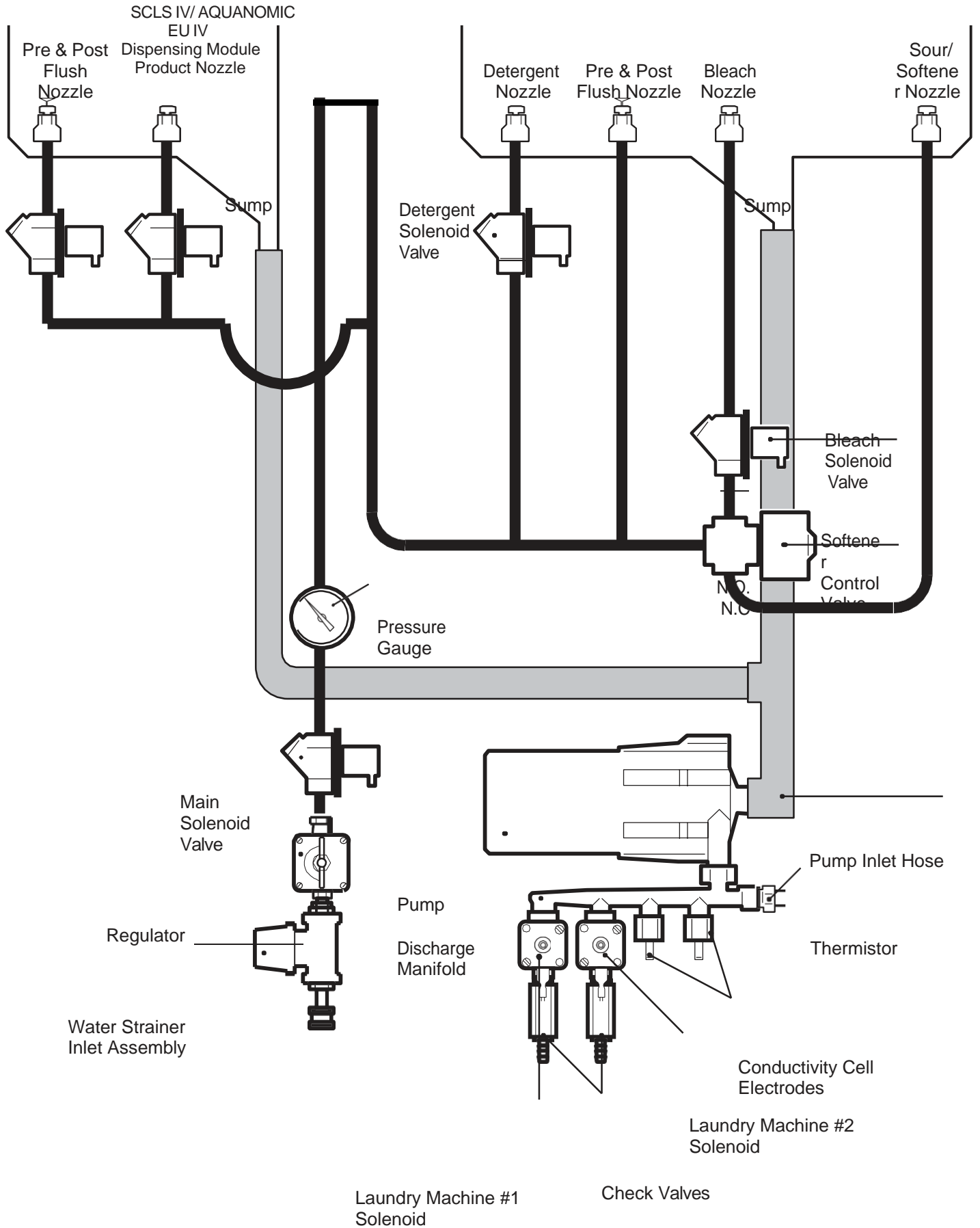
This manual presents the basic installation, operation, programming and servicing instructions for the SCLS IV/AQUANOMIC EU IV DISPENSING MODULE. This manual applies, in its entirety, to current equipment. Guidelines are suggested in reference to the preferred method of installation, however, the surrounding physical environment dictates the actual installation of the SCLS IV/AQUANOMIC EU IV DISPENSING MODULE. This system will convert the standard three product dispenser to a four product dispenser.

**WARNING: These installation, operation and servicing instructions are for use by qualified personnel only. The installation must be made in accordance with local plumbing and electrical codes.**

## 1.3 System Features

The SCLS IV/AQUANOMIC EU IV DISPENSING MODULE unit offers the following features:

- Addition of a fourth product will give improved application flexibility.
- Accurate dispensing of the fourth solid product through the SCLS/AQUANOMIC EU dispenser.
- The fourth solid product has the empty capsule alarm.
- The fourth product will be discharged through the current pump and conductivity cell.
- Two types of product capsules will be provided to prevent employees from swapping pockets when two units and two types of product are at the same location.



**Hydraulic Diagram**

**Figure 1-1**



# 2.1 Requirements/Specifications

## 2.2 Utility Requirements

### 2.2.1 Electrical Supply Requirements

- A constant 120 VAC/60 Hz. power source is required.
- The pump Cabinet is shipped with a 9' power cord.
- For distance greater than 9', the Pump Cabinet must be hard wired with conduit.
- The double pole single throw ON/OFF switch is also a circuit breaker rated at 3.0 amps.
- Total amperage draw during normal operation is approximately 2.5 amps.

### 2.2.2 Water Supply Requirements

- A 3/8" MNHT hot water supply line is required. The NSF hose is shipped in the Installation Kit.
- Water temperature should not fall below 95°F (35°C).
- Water flow rate is 0.8 GPM.

### 2.2.3 Electrical

The SCLS IV/AQUANOMIC EU IV does not require any additional electrical or water service relative to the main dispenser. The SCLS IV/AQUANOMIC EU IV runs on 24 volt electrical service originating from the main dispenser cabinet. The SCLS IV/AQUANOMIC EU IV uses water from the main dispenser and therefore does not require additional water hook up.

## 2.2 Specifications

The following section discusses the cabinet space and service access requirements:

### 2.2.1 Dimensions

The dispenser module assembly has the following dimensions.

- Height.....20 1/4" (including standpipe 22")
- Width .....10 1/4"
- Depth .....11"
- Weight..... 15 lbs. (with product up to 21 lbs.)
- Product clearance needs to be 8" above the cabinet to replace product capsules.

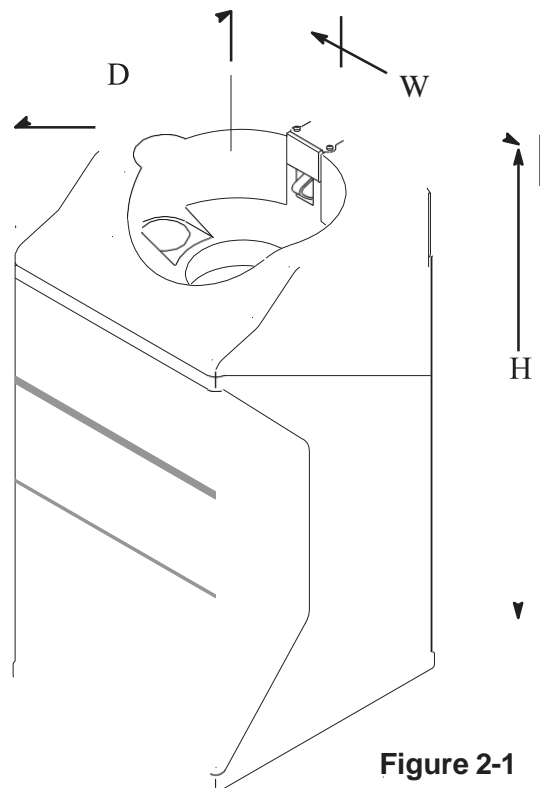


Figure 2-1

# 3.1 System Installation

## 3.2 Installation Procedure

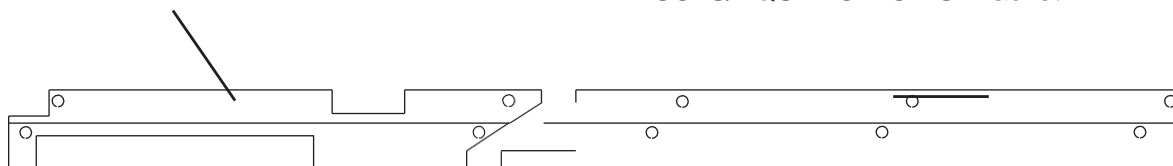
1. Remove the protective label from the SCLS/AQUANOMIC EU cabinet's left hand side. The label needs to be removed in order to run the electrical and hydraulic service between the dispensers.
2. If the SCLS/AQUANOMIC EU has already been installed remove the cabinet from the wall per the following instructions.
  - a. Unplug the cabinet.
  - b. Disconnect the communications cables.
  - c. Turn off the water supply.
  - d. Disconnect the product delivery tubing.
  - e. Remove the overflow hose.
  - f. Remove the solid products.
  - g. Remove Cabinet from the wall.

### 3.1.1 Mounting the dispenser.

1. Install the mounting brackets according to Figure 3-1 below.

SCLS IV/AQUANOMIC EU IV Module Bracket

SCLS/AQUANOMIC EU Bracket



**Figure 3-1**

2. Hang cabinets on the brackets with the SCLS IV/AQUANOMIC EU IV to the left of the SCLS/AQUANOMIC EU cabinet.

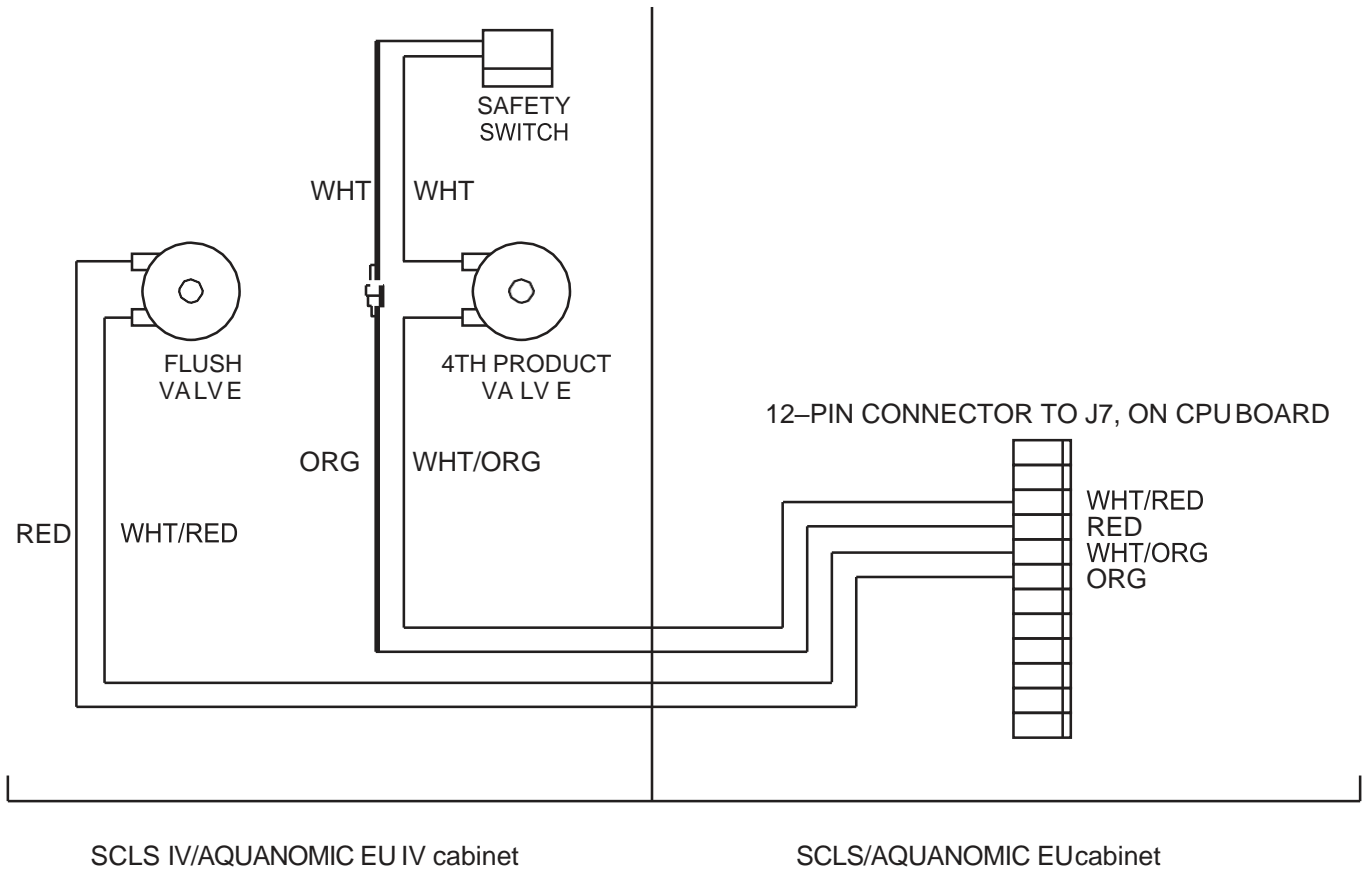
**NOTE: Remove the protective label from the left side of the SCLS/Aquanomic EU cabinet prior to hanging the cabinets.**





### 3.2 Wiring (wiring diagram below Figure 3-2)

1. Unwind the white/orange–orange and white/red–red wire pairs in the SCLS/AQUANOMIC EU cabinet and feed through the top hole in the left side of the cabinet.
2. Crimp a female quick disconnect to each of the four wires.
3. Connect the orange wire to the male quick disconnect of the reed switch assembly (white wires).
4. Connect the white/orange wire to the open 1/4" tab of the 4th product valve.
5. Connect the red and the white/red wires to the open tabs on the flush valve.



**Figure 3-2**

### 3.3 Plumbing

1. Cut the 1/4" white tubing which **supplies water to** the detergent valve approximately 3" before the detergent valve as shown in Figure 3-3.
2. Insert a tube insert into each end of the 1/4" white tubing just cut and insert the tube ends into the T connector.
3. Feed the 1/4" white tubing from the SCLS IV/AQUANOMIC EU IV cabinet through the top hole on the left side of the SCLS IV/AQUANOMIC EU IV cabinet.
4. Connect this 1/4" white tubing into the T connector.

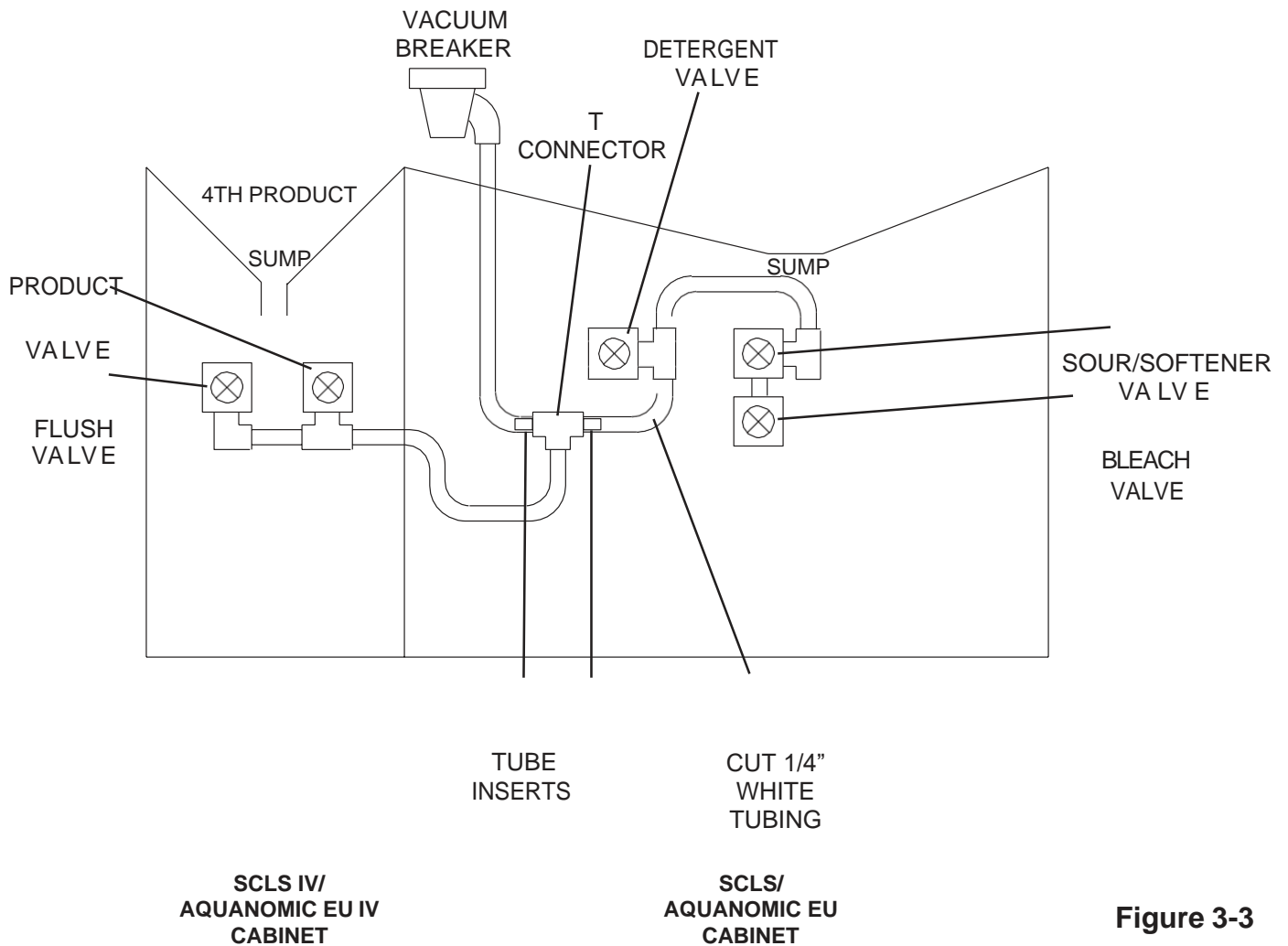


Figure 3-3



### 3.3 Plumbing (Continued)

5. Remove the plug from the sump drain hose (located above the pump inlet) in the SCLS/AQUANOMIC EU cabinet.
6. Feed the 4th product drain hose through the bottom hole on the left side of the SCLS/AQUANOMIC EU cabinet.
7. Attach the 4th product drain hose to the SCLS/AQUANOMIC EU drain hose using the connector tube and two hose clamps as shown in Figure 3-4 below. **Be sure drain tube is not kinked. Shorten length if necessary.**

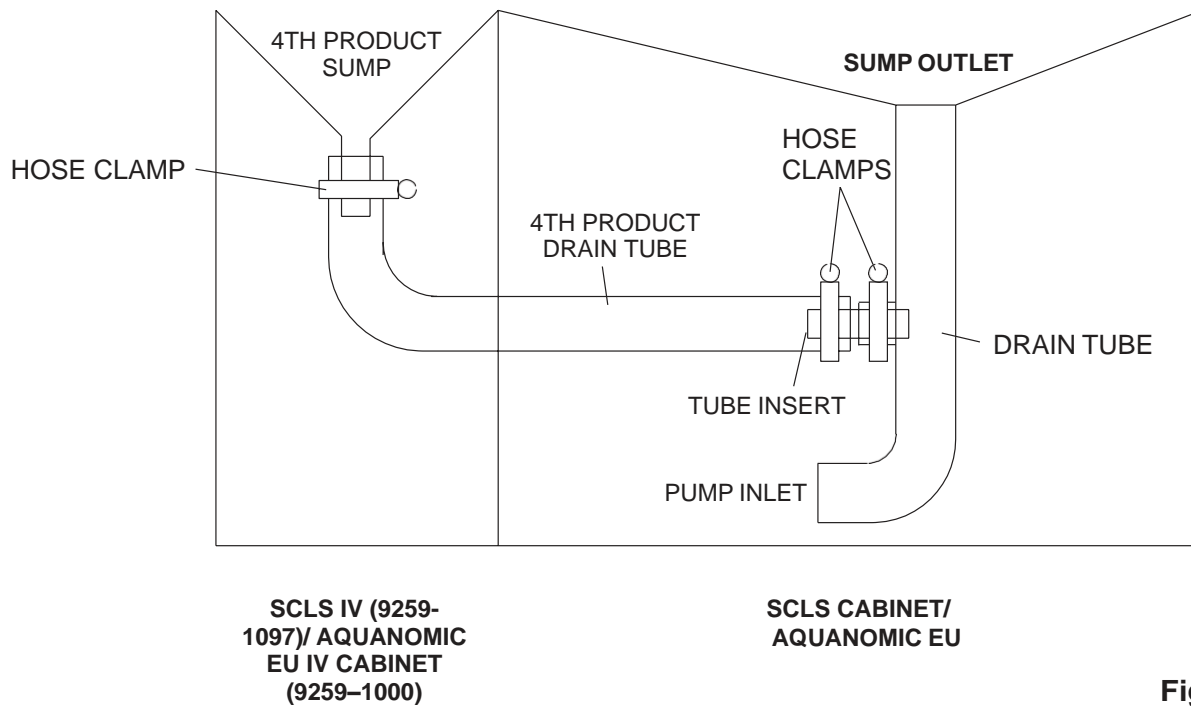


Figure 3-4



# 4.0 System Programming

All SCLS IV/AQUANOMIC EU IV programming is carried out at the SCLS/AQUANOMIC EU dispenser according to the following steps.

1. Enter programming mode of the SCLS/AQUANOMIC EU dispenser by pressing the [Program] key, your password (default is 12345) and then the [Enter] key.
2. Press the down arrow key until the cursor is located in front of the System Menu and then press the [Enter] key.
3. Press the down arrow key until the cursor is located in front of the “Fourth Product” selection, then press [Enter].
4. The “Fourth Product Installed” screen should be displayed. Press the [Choice] key until the Yes response is indicated and then press the [Enter] key to save the change.
5. Press the [Exit] key, the down arrow key and then the [Enter] key in order to access the “Formula Menu”.
6. Edit the programmed formulas by selecting washer number, formula number and the edit grams/delay choices. The gram amounts for the fourth product will be visible after the finish product grams. For further information please see the SCLS/AQUANOMIC EU I/O Manual (Section 6.6.2.4).

# 5.0 Startup and Operation

1. If both the SCLS/AQUANOMIC EU and the SCLS IV/AQUANOMIC EU IV are being installed at the same time, complete the startup and operation of the SCLS/AQUANOMIC EU (Section 5.0, SCLS/AQUANOMIC EU I/O Manual) prior to proceeding to step 2.
2. At the SCLS/AQUANOMIC EU pump cabinet enter the program mode by pressing the [Program] key followed by the password (default is 12345) and then the [Enter] key.
3. Press the down arrow until the cursor indicates the “Diagnostic Menu” and then press the [Enter] key.
4. Press the down arrow key until the cursor gets to Outputs then press [Enter].
5. Place a product capsule on the Fourth Product Dispenser.
6. In the Outputs menu press [On/Off] key to turn the main flush display to on. Press the Down arrow once and then press [On/Off] key to turn washer 1 display to on. Press the Down Arrow six times and then press [On/Off] key to turn the Product 4 display to **ON**. Press the [Enter] key. Verify that product is flowing over to the Fourth product cabinet and being pumped to Washer 1.
7. Press the Down Arrow seven times and then press [On/Off] key to turn the Product 4 display to **OFF**. Press the [Enter] key.
8. Press the Down Arrow eight times and then press [On/Off] key to turn the P4 Flush display to **ON**. Press the [Enter] key. Verify that water is flowing over to the Fourth product cabinet and being pumped to Washer 1.
9. Press the [Exit] key twice to turn off all outputs.

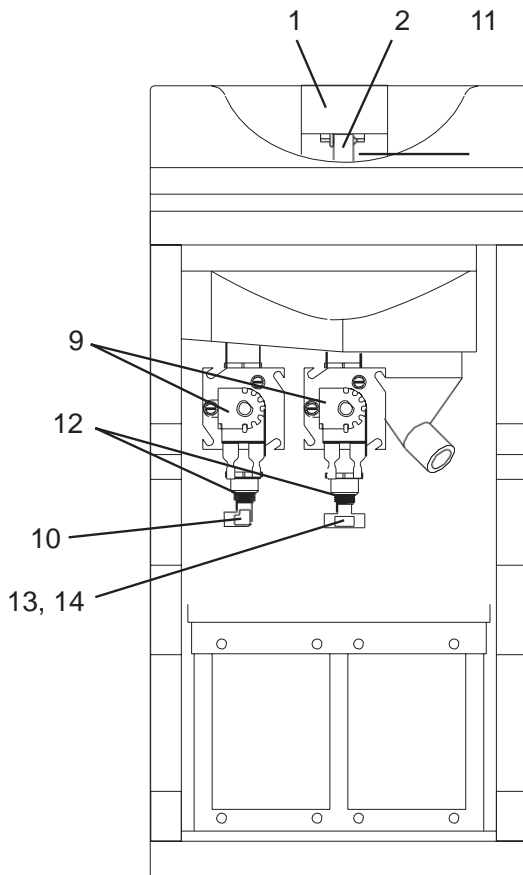


# 6.0 Troubleshooting

Symptom	Possible Cause	Action
6.1 Product not dispensing	1. Product Capsule switch	a. Use ohm meter and check continuity through the switch. Switch is normally open.
	2. Bad product valve	a. Solenoid diaphragm failed b. Coil failed c. With cabinet dispensing product, check for 24 VAC on the coil leads. Remove the leads from the coil to test. d. If 24 VAC is present, replace the coil. e. If 24 VAC is not present, replace the CPU module.

# 7.1 Replacement Parts

## SCLS IV/AQUANOMIC EU IV DISPENSING MODULE



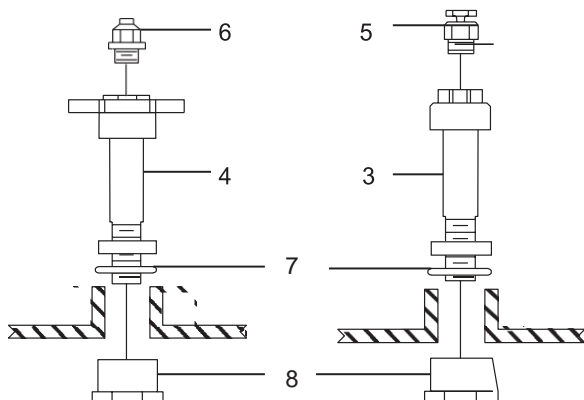
### SUMP & CABINET

REF.

NO. PART NO. DESCRIPTION

1	9252-0634	COVER ASSEMBLY
2	8305-1136	PROXIMITY SWITCH
3	9258-2592	FLUSH SPRAY TUBE
4	9259-2640	PRODUCT SPRAY TUBE
5	8531-2718	FLUSH NOZZLE 180° SPRAY SST
6	8531-2502	PRODUCT NOZZLE 67° KYNAR
7	8720-6165	O-RING EPDM
8	9258-2600	SPRAY TUBE NUT
9	9204-2050	COIL, 24 VAC
10	8563-5795	ELBOW, 3/8T X 1/4MNPT
11	9258-4184	DETENT SWITCH BRACKET
12	8614-9127	BUSHING REDUCER
13	8554-5051	TEE, 3/8T X 3/8T X 1/4MNPT
14	9321-2135	TEE, 3/8T X 3/8T X 3/8T
	• 9258-1005	DRAIN TUBE ASSEMBLY
	• 9258-4291	LOCKOUT & SUMP LUGS

• **PART NOT SHOWN**



SPRAY TUBE DETAIL

FLUSH TUBE DETAIL

370 Wabasha Street N. St. Paul, MN 55102  
www.ecolab.com

© 2016 Ecolab Inc. All rights reserved.  
29516/0406/0216  
Part No. 9259-2002

