

3000/4 eco

Art. 1753

**DE Betriebsanleitung**

Hauswasserwerk

**EN Operator's manual**

Pressure Tank Unit

**FR Mode d'emploi**

Groupe de surpression

**NL Gebruiksaanwijzing**

Hydrofoorpomp

**SV Bruksanvisning**

Hydroforpump

**DA Brugsanvisning**

Husvandværk

**FI Käyttöohje**

Painevesiyksikkö

**NO Bruksanvisning**

Trykktank

**IT Istruzioni per l'uso**

Autoclave

**ES Instrucciones de empleo**

Estación de Bombeo con Calderín

**PT Manual de instruções**

Bomba doméstica

**PL Instrukcja obsługi**

Zestaw hydroforowy

**HU Használati utasítás**

Házi vízellátó

**CS Návod k obsluze**

Domácí vodárna

**SK Návod na obsluhu**

Domáca vodáreň

**EL Οδηγίες χρήσης**

Πιεστικό με βαρέλι

**RU Инструкция по эксплуатации**

Станция бытового водоснабжения автоматическая

**SL Navodilo za uporabo**

Hišna vodna črpalka

**HR Upute za uporabu**

Kućni hidroforska pumpa

**SR/ Uputstvo za rad**
**BS** Kućna hidroforska pumpa

**UK Інструкція з експлуатації**

Домова водопровідна станція

**RO Instrucțiuni de utilizare**

Hidrofor cu rezervor

**TR Kullanma Kılavuzu**

Konut Suyu Tertibatı

**BG Инструкция за експлоатация**

Хидрофорна уредба с разширителен съд

**SQ Manual përdorimi**

Impiant uji për shtëpi

**ET Kasutusjuhend**

Hüdrofooriga veeautomaat

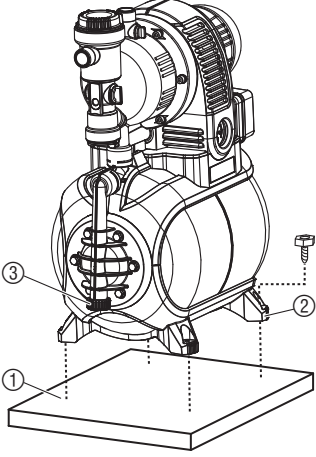
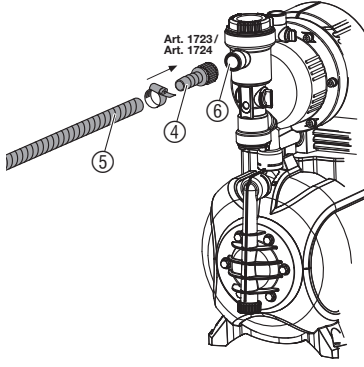
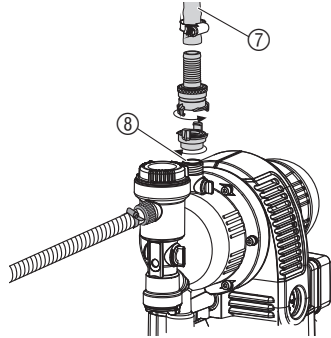
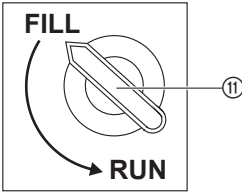
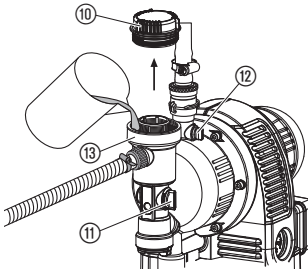

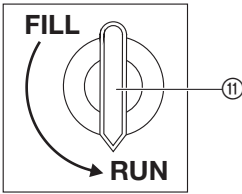
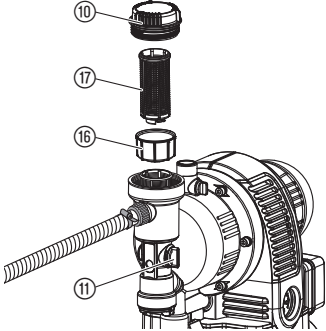
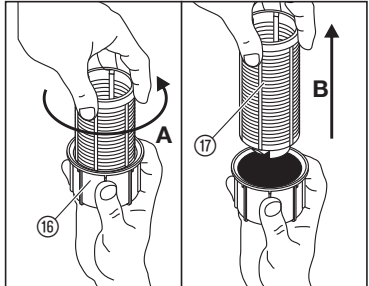
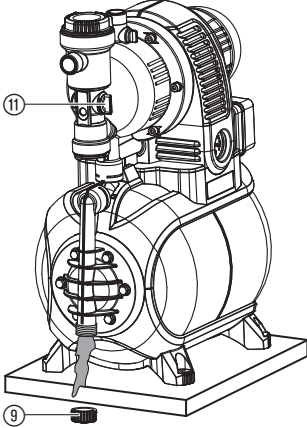
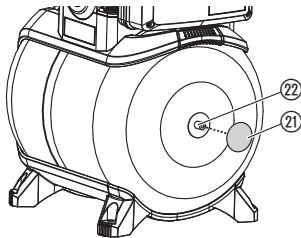
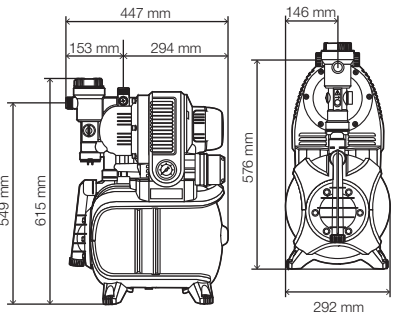
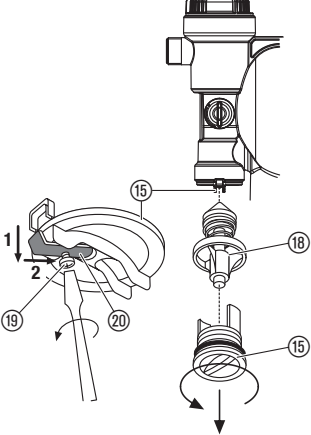
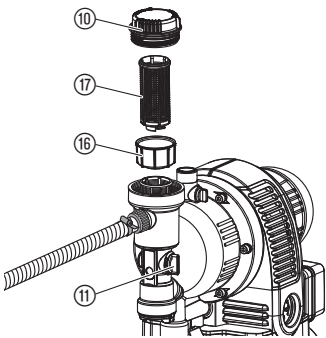
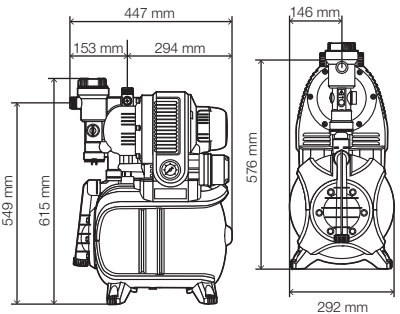
**LT Eksploatavimo instrukcija**

Siurblys su slėgio rezervuaru

**LV Lietošanas instrukcija**

Spiedvertnes ierīce

<p><b>DE Produkthaftung</b> Wir weisen ausdrücklich darauf hin, dass wir in Übereinstimmung mit dem Produkthaftungsgesetz nicht für Schäden haften, die durch unsere Produkte entstehen, wenn diese unsachgemäß und nicht durch einen von uns autorisierten Servicepartner repariert wurden oder wenn keine Original GARDENA Teile oder von uns zugelassene Teile verwendet wurden.</p>
<p><b>EN Product liability</b> In accordance with the German Product Liability Act, we hereby expressly declare that we accept no liability for damage incurred from our products where said products have not been properly repaired by a GARDENA-approved service partner or where original GARDENA parts or parts authorised by GARDENA were not used.</p>
<p><b>FR Responsabilité</b> Conformément à la loi relative à la responsabilité du fait des produits défectueux, nous déclarons expressément par la présente que nous déclinons toute responsabilité pour les dommages résultant de nos produits, si lesdits produits n'ont pas été correctement réparés par un partenaire d'entretien agréé GARDENA ou si des pièces d'origine GARDENA ou des pièces agréées GARDENA n'ont pas été utilisées.</p>
<p><b>NL Productaansprakelijkheid</b> Conform de Duitse wet inzake productaansprakelijkheid verklaren wij hierbij uitdrukkelijk dat wij geen aansprakelijkheid aanvaarden voor schade ontstaan uit onze producten waarbij deze producten niet zijn gerepareerd door een GARDENA-erkende servicepartner of waarbij geen originele GARDENA-onderdelen of onderdelen die door GARDENA zijn goedgekeurd zijn gebruikt.</p>
<p><b>SV Produktansvar</b> I enlighet med tyska produktansvarslagar förklarar vi härmed uttryckligen att vi inte åtar oss något ansvar för skador som orsakas av våra produkter där produkterna inte har genomgått korrekt reparation från en GARDENA-godkänd servicepartner eller där originaldelar från GARDENA eller delar godkända av GARDENA inte använts.</p>
<p><b>DA Produktansvar</b> I overensstemmelse med den tyske produktansvarslov erklærer vi hermed udtrykkeligt, at vi ikke påtager os noget ansvar for skader på vores produkter, hvis de pågældende produkter ikke er blevet repareret korrekt af en GARDENA-godkendt servicepartner, eller hvor der ikke er brugt originale GARDENA-reservedele eller godkendte reservedele fra GARDENA.</p>
<p><b>FI Tuotevastuu</b> Saksan tuotevastuulain mukaisesti emme ole vastuussa laitteiden vaurioista, jos korjauksia ei ole tehnyt GARDENA:n hyväksymä huoltoliike tai jos niiden syynä on muiden kuin alkuperäisten GARDENA-varaosien tai GARDENA:n hyväksymien varaosien käyttö.</p>
<p><b>IT Responsabilità del prodotto</b> In conformità con la Legge tedesca sulla responsabilità del prodotto, con la presente dichiariamo espressamente che decliniamo qualsiasi responsabilità per danni causati dai nostri prodotti qualora non siano stati correttamente riparati presso un partner di assistenza approvato GARDENA o laddove non siano stati utilizzati ricambi originali o autorizzati GARDENA.</p>
<p><b>ES Responsabilidad sobre el producto</b> De acuerdo con la Ley de responsabilidad sobre productos alemana, por la presente declaramos expresamente que no aceptamos ningún tipo de responsabilidad por los daños ocasionados por nuestros productos si dichos productos no han sido reparados por un socio de mantenimiento aprobado por GARDENA o si no se han utilizado piezas originales GARDENA o piezas autorizadas por GARDENA.</p>
<p><b>PT Responsabilidade pelo produto</b> De acordo com a lei alemã de responsabilidade pelo produto, declaramos que não nos responsabilizamos por danos causados pelos nossos produtos, caso os tais produtos não tenham sido devidamente reparados por um parceiro de assistência GARDENA aprovado ou se não tiverem sido utilizadas peças GARDENA originais ou peças autorizadas pela GARDENA.</p>
<p><b>PL Odpowiedzialność za produkt</b> Zgodnie z niemiecką ustawą o odpowiedzialności za produkt, niniejszym wyraźnie oświadczamy, że nie ponosimy żadnej odpowiedzialności za szkody poniesione na skutek użytkowania naszych produktów, w przypadku gdy naprawa tych produktów nie była odpowiednio przeprowadzana przez zatwierdzonego przez firmę GARDENA partnera serwisowego lub nie stosowano oryginalnych części GARDENA albo części autoryzowanych przez tę firmę.</p>
<p><b>HU Termékszavatosság</b> A németországi termékszavatossági törvénnyel összhangban ezennel nyomatékosan kijelentjük, hogy nem vállalunk felelősséget a termékeinkben keletkezett olyan károkért, amelyek valamilyen GARDENA által jóváhagyott szervizpartner által nem megfelelően végzett javításból adódtak, vagy amely során nem eredeti GARDENA alkatrészeket vagy a GARDENA által jóváhagyott alkatrészeket használtak fel.</p>
<p><b>CS Odpovědnost za výrobek</b> V souladu s německým zákonem o odpovědnosti za výrobek tímto výslovně prohlašujeme, že nepřijímáme žádnou odpovědnost za poškození vzniklá na našich výrobcích, kdy zmíněné výrobky nebyly řádně opraveny schváleným servisním partnerem GARDENA nebo kdy nebyly použity originální náhradní díly GARDENA nebo náhradní díly autorizované společností GARDENA.</p>
<p><b>SK Zodpovednosť za produkt</b> V súlade s nemeckými právnymi predpismi upravujúcimi zodpovednosť za výrobok týmto výslovné prehlasujeme, že nenesieme žiadnu zodpovednosť za škody spôsobené našimi výrobkami, v prípade ktorých neboli náležité opravy vykonané servisným partnerom schváleným spoločnosťou GARDENA alebo neboli použité diely spoločnosti GARDENA alebo diely schválené spoločnosťou GARDENA.</p>
<p><b>EL Ευθύνη προϊόντος</b> Σύμφωνα με τον γερμανικό νόμο περί Ευθύνης για τα Προϊόντα, με το παρόν δηλώνουμε ρητώς ότι δεν αποδεχόμαστε καμία ευθύνη για τυχόν ζημιές που προκύπτουν από τα προϊόντα μας εάν αυτά δεν έχουν επισκευαστεί σωστά από κάποιον συγκεκριμένο συνεργάτη επισκευών της GARDENA ή εάν δεν έχουν χρησιμοποιηθεί αυθεντικά εξαρτήματα GARDENA ή εξαρτήματα συγκεκριμένα από την GARDENA.</p>
<p><b>SL Odgovornost proizvajalca</b> V skladu z nemškimi zakoni o odgovornosti za izdelke, izrecno izjavljajo, da ne sprejemamo nobene odgovornosti za škodo, ki jo povzročijo naši izdelki, če teh niso ustrezno popravili GARDENINI odobreni servisni partnerji ali pri tem niso bili uporabljeni originalni GARDENINI nadomestni deli ali GARDENINIMI homologiranimi nadomestnimi deli.</p>
<p><b>HR Pouzdanost proizvoda</b> Sukladno njemačkom zakonu o pouzdanosti proizvoda, ovime izričito izjavljujemo kako ne prihvaćamo nikakvu odgovornost za oštećenja na našim proizvodima nastala uslijed neispravnog popravka od strane servisnog partnera kojeg odobrava GARDENA ili uslijed nekorištenja originalnih GARDENA dijelova ili dijelova koje odobrava GARDENA.</p>
<p><b>RO Răspunderea pentru produs</b> În conformitate cu Legea germană privind răspunderea pentru produs, declarăm în mod expres prin prezentul document că nu acceptăm nicio răspundere pentru defecțiunile suferite de produsele noastre atunci când acestea nu au fost reparate în mod corect de un atelier de service partener, aprobat de GARDENA, sau când nu au fost utilizate piese GARDENA originale sau piese autorizate de GARDENA.</p>
<p><b>BG Отговорност за вреди, причинени от стоки</b> Съгласно германския Закон за отговорността за вреди, причинени от стоки, с настоящото изрично декларираме, че не носим отговорност за щети, причинени от нашите продукти, ако те не са били правилно ремонтирани от одобрен от GARDENA сервиз или ако не са използвани оригинални части на GARDENA или части, одобрени от GARDENA.</p>
<p><b>ET Tootevastutus</b> Vastavalt Saksamaa tootevastutusseadusele deklareerime käesolevaga selgesõnaliselt, et me ei kanna mingisugust vastutust meie toodetest tingitud kahjude eest, kui need tooted ei ole korrektselt parandatud GARDENA heakskiidetud hoolduspartneri poolt või kui parandamisel ei ole kasutatud GARDENA originaalosi või GARDENA volitatud osi.</p>
<p><b>LT Gaminio patikimumas</b> Mes aiškiai pareiškiame, kad, atsižvelgiant į Vokietijos gaminių patikimumo įstatymą, nepriisiame atsakomybės dėl bet kokios žalos, patirtos dėl mūsų gaminių, jeigu jie buvo netinkamai taisomi arba jų dalys buvo pakeistos neoriginaliomis GARDENA dalimis ar nepatvirtintomis dalimis, arba jeigu remonto darbai buvo atliekami ne GARDENA techninės priežiūros centro specialistų.</p>
<p><b>LV Atbildība par produkcijas kvalitāti</b> Saskaņā ar Vācijas likumu par atbildību par produkcijas kvalitāti ar šo mēs paziņojam, ka neuzņemamies atbildību par bojājumiem, kas radušies, lietojot mūsu izstrādājumus, kuru remontu nav veicis uzņēmuma GARDENA apstiprināts apkopes partneris vai kuru remontam netika izmantotas oriģinālās GARDENA detaļas vai detaļas, kuru lietošanu apstiprinājis uzņēmums GARDENA.</p>

<p><b>I1</b></p> 	<p><b>I2</b></p>  <p>Art. 1723/ Art. 1724</p>	<p><b>I3</b></p> 
<p><b>O1</b></p> 	<p><b>O2</b></p> 	<p><b>O4</b></p> 
<p><b>O3</b></p> 	<p><b>M1</b></p> 	<p><b>M2</b></p> 
<p><b>S1</b></p> 	<p><b>T1</b></p> 	<p><b>TD1</b></p> 
<p><b>M3</b></p> 	<p><b>M1</b></p> 	<p><b>TD1</b></p> 

## EN

## Translation of the original instructions.



This product may be used under supervision, or if instruction regarding the safe use of the product has been provided and the resulting dangers have been understood, by children aged 8 and above, as well as by persons with physical, sensory or mental disabilities or a lack of experience and knowledge. Children must not be allowed to play with the product. Cleaning and user maintenance must not be performed by children without supervision. The use of this product by young people under the age of 16 is not recommended. Never operate the product when you are tired, ill or under the influence of alcohol, drugs or medicine.

**Intended use:**

The GARDENA Pressure Tank Unit is intended for private use in the house and garden; it is not intended for operation of watering equipment and accessories in public gardens.

**Liquids pumped:**

The GARDENA Pressure Tank Unit can be used to deliver rainwater, tap water and chlorinated water.

**CAUTION! The GARDENA Pressure Tank Unit is not suitable for continuous operation (e.g. industrial use, continuous circulation operations). Corrosive, easily combustible, aggressive or explosive liquids (such as gasoline, petroleum or nitro thinner), saltwater and food must not be pumped. The temperature of the liquid must not exceed 35 °C.**

**1. SAFETY****IMPORTANT!**

Read the operator's manual carefully before use and keep for future reference.

**Electrical safety**

**DANGER! Electric shock!**

Risk of injury due to electric shock.

→ Always unplug your Pressure Tank Unit before filling, after operation, when troubleshooting and before carrying out any maintenance work.

The product must be supplied through a residual current device (RCD) having a rated residual operating current not exceeding 30 mA.

The pump must be located on solid, even ground, protected from flooding. Take care that the pump cannot fall into water.

As an additional safety device an authorised safety switch can be used.

→ Please ask your electrician for his advice.

Data indicated on the type plate must match the technical data of the mains supply.

Pursuant to DIN VDE 0620 the power cable as well as any extension cable must not have a smaller diameter than rubber sheathed cables described with letter symbols H05RN-F.

Protect the power cable from heat, oil and sharp edges.

Do not use the power cable for carrying the pump or for unplugging.

→ If the supply cord is damaged, it must be replaced by the manufacturer, its service agent or similarly qualified persons in order to avoid a hazard.

The pump must not be used when people are in water.

**In Austria**

In Austria the electrical connection must satisfy the ÖVE-EM 42, T2 (2000)/1979 § 22 to § 2022.1. This requires that pumps used for swimming pools and garden ponds may only be powered through an isolating transformer.

→ Please ask your electrician for his advice.

**In Switzerland**

In Switzerland portable devices that are used outdoors must be connected through an earth leakage circuit breaker. Mobile appliances that are used outdoors must be connected via a residual-current device.

**General safety warnings**

**Risk of injury due to hot water!**

**If the pressure switch is defective or if the water supply on the intake side of the pump fails, any water remaining in the pump may heat up, generating a risk of injuries caused by hot water on leakage.**

**The pump is equipped with a temperature fuse, which switches off the pump at high water temperatures (approx. 65 °C).**

→ After temperature-related cut-out, disconnect the pump from the mains via the main circuit breaker, let the water cool (approx. 10 – 15 min.) and secure the water supply on the intake side before putting into operation again.

→ Before operating the pressure tank unit, first make a visual check to ensure there is no damage to the pressure tank unit (especially regarding power cable and plug).

A damaged pressure tank unit must not be used.

→ In case of damage, please have the pressure tank unit checked by our GARDENA Service Centre or by an authorised electrician.

Protect the pump from rain. Do not use the pressure tank unit in a wet or moist area.

In order to avoid dry-running of the pressure tank unit, take care that the end of the suction hose is always submerged into the liquid.

The pressure tank unit must not be run dry nor with the stopcock in the suction pipework closed.

→ Before each operation, fill the pressure tank unit to overflowing with approx. 2 to 3 l of the liquid to be pumped!

Sand and other abrasive substances in the liquid cause increased wear and reduce the pump's output.

When using the pump for domestic water supply, please adhere to the local water and sewerage regulations. In addition observe the regulations of DIN 1988.

→ If necessary contact your local water authority.

**DANGER!** This product makes an electromagnetic field while it operates. This field may under some conditions interfere with active or passive medical implants. To decrease the risk of conditions that can possibly injure or kill, we recommend persons with medical implants to speak with their physician and the medical implant manufacturer before you operate the product.

**DANGER!** Small parts can be easily swallowed. There is also a risk that the polybag can suffocate toddlers. Keep toddlers away when you assemble the product.

**2. INITIAL OPERATION****Installing the Pressure Tank Unit:**

The installation position must be firm and dry, and permit a secure mounting for the pressure tank unit.

→ Install the Pressure Tank Unit at a safe distance from the pumping medium.

The pump must be installed in a location with low air humidity and sufficient ventilation in the area of the ventilation slots. It must be at a distance of at least 5 cm from the walls. No dirt contamination (e.g. sand or earth) may be sucked in through the ventilation slots.

**Fixed installation of the Pressure Tank Unit [Fig. I1]:**

→ The Pressure Tank Unit can be screwed with all 4 feet ② onto a solid surface ①.



Alternatively, spring mounted feet (Art. 1753-00.901.00) for low vibration and quiet running are available as accessories via the GARDENA Service. Install the pressure tank unit so that there is room to place a suitably sized drainage tray under the drain screw ③ to allow the unit or system to be drained.

If possible, install the unit higher than the surface of the water to be pumped. If this is not possible, install a vacuum-resistant valve between the unit and the suction hose, for example for cleaning the integrated filter.

If the pump is permanently installed indoors for domestic water supply, the Pressure Tank Unit should not be connected to the domestic water pipework with rigid pipes but with flexible tubing, to reduce noise and to avoid damage to the pump caused by pressure blows.

If the system is being installed permanently, please fit suitable valves on both the intake and delivery sides. This is important e.g. for maintenance and cleaning work or if the system is being shut down.

**The connection pieces on the intake and delivery sides may only be tightened by hand.**

#### Connect the hose to the suction side [Fig. I2]:

A vacuum-tight suction hose must be used e.g.:

- GARDENA Suction Unit **Art. no. 1411/1418/1412** or
- GARDENA Bore Hole Suction Hose **Art. no. 1729**.

Do not use any water hose snap connection system components on the intake side!

#### → Connect the suction hose ⑤ with the intake side connection ⑥ of the pump.

Connect the suction hoses ⑤ without a threaded connector via a connection piece (e.g. **Art. no. 1723/1724**) ④ with the intake side connection and screw in place so that they are airtight.

To reduce the pump repriming time, we recommend using a suction hose with backflow preventer, which prevents the suction hose emptying automatically when the Pressure Tank Unit is switched off.

For suction heights exceeding 4 m also secure the suction hose ⑤ (e.g. by fastening it to a wooden post) to relieve the pump of the weight of the suction hose.

If very fine dirt is present in the pumping medium, we recommend the use of a **GARDENA Pump Preliminary Filter Art. no. 1730/1731**.

#### Connect hose to the output side [Fig. I3]:

##### Note:

Use pressure-tight GARDENA hoses, 19 mm (3/4") in diameter, in connection with the GARDENA Quick-Release Threaded Connector with 33.3 mm (G1) internal thread, **Art. no. 7109**, and the GARDENA Suction and High Pressure Connector, **Art. no. 7120**, for 19 mm (3/4") hoses and a GARDENA Hose Clip, **Art. no. 7192**.


**Under no circumstances use these hoses on the suction side.**

#### → Connect delivery hose ⑦ to the delivery side connection ⑧.

→ Tip: If permanent pipes are installed, they must be laid at an ascending angle in order to allow the water to flow back into the pump on the pressure side.

## 3. OPERATION

#### Starting the Pressure Tank Unit [Fig. O1/O2/O3]:

 **DANGER! Electric shock!**

→ Before filling the pump, unplug the equipment from the mains.

##### CAUTION! Pump running dry!

→ Fill the pump to the overflow (approx. 2 to 3 l) with water each time before the pump is switched on, so it does not run dry.

1. Unscrew the cover ⑩ of the filter chamber by hand.
2. Turn the rotary switch ⑪ to **FILL**.  
*The integrated non-return valve will open.*
3. Open the air bleed ⑫.
4. Open any valves in the delivery line (watering accessories, water stop, etc.) and drain off any residual water in the delivery hose so that the air can escape during filling and priming.
5. Slowly pour pumping medium (approx. 2 to 3 l) through the filler neck ⑬ until water emerges from the air bleed ⑫.
6. Screw the filter chamber cover ⑩ closed again, turning by hand until it stops.

#### 7. Close venting ⑬ and turn rotary switch ⑪ to **RUN**.

#### 8. Insert the mains plug into a 230 V mains socket. **CAUTION! The pump will start immediately!**

Once the maximum pressure is reached the pump will switch off automatically. When the pressure falls below the minimum value due to water being drawn off, the pump will switch on again automatically.

The maximum self-priming head of 8 m is only achieved if the pump is filled until it overflows from the filler connection ⑬ and the delivery hose is held high enough during self-priming so that no water can escape from the pump via the delivery hose. It is not necessary to hold up the delivery hose if filled suction hoses with backflow preventer are used.

#### ECO switch [Fig. O4]:

In order to save energy (up to 15 %), the cut-out pressure on the pump can, depending on the individual application, be regulated between **ECO** and **MAX** (the pressure difference between **ECO** and **MAX** totals approx. 1 bar).

→ Turn the **ECO** rotary switch ⑭ to the required position.

#### Note on the use of sprinklers:

Depending on the flow rate of the sprinkler, an uneven watering pattern may occur through the pump being switched on and off automatically.

## 4. STORAGE

#### To put into storage [Fig. S1/O1]:



If there is a risk of frost, the Pressure Tank Unit must be emptied and stored where it will not become frozen. The product must be stored away from children.

1. Unplug the mains connection for the pump.
2. Turn the rotary switch ⑪ to **FILL**.
3. Open the delivery side consumer.
4. Unscrew the end cap ⑨ and drain off the water.
5. Store the pressure tank unit in a dry, frost-free place.

#### Disposal:

(in accordance with RL2012/19/EC)

The product must not be disposed of to normal household waste. It must be disposed of in line with local environmental regulations.



#### IMPORTANT!

→ Dispose of the product through or via your municipal recycling collection centre.

## 5. MAINTENANCE



**DANGER! Electric shock!**

→ Pull out mains plug before undertaking any maintenance.

#### Clean suction filter [Fig. M1/O3/M2]:

1. Turn the rotary switch ⑪ to **RUN**.
2. If necessary, close all the shut-off devices on the intake side.
3. Unscrew and remove cover ⑩ of the filter chamber.
4. Draw out filter unit ⑬ ⑰ vertically upwards.
5. Hold beaker ⑮ firmly, turn filter ⑰ anti-clockwise **A** and draw out **B** (bayonet fitting).
6. Clean beaker ⑮ under running water and clean the filter ⑰ e.g. with a soft brush.
7. Refit filter again in reverse order.

#### Cleaning the check valve [Fig. M3/O1]:

1. Turn the rotary switch ⑪ to **FILL**.
2. If necessary, close all valves on the intake side.
3. Open all pressure side outlets, so that the pressure side is depressurised.
4. Unscrew the end cap ⑨ and drain off the water (see 4. STORAGE "To put into storage").
5. Undo screw ⑱ and slide the clip ⑳ upwards **1** and to the rear **2** into the bearing groove.
6. Screw out the cover ⑮ of the check valve (if applicable using a suitable tool).
7. Remove the valve body ⑮ and wash it under running water.

8. Refit in reverse order.
9. Switch the Pressure Tank Unit back on again (see 3. OPERATION).

## 6. TROUBLESHOOTING



**DANGER! Electric shock!**

→ **Unplug the cable at the mains before trouble-shooting.**

**Work on the electrical parts must only be carried out by GARDENA Service Centres.**

Problem	Possible Cause	Remedy
<b>The pump sucks nothing up</b>	Rotary switch is not turned to <b>RUN</b> .	→ Restart the pump (see 3. OPERATION).
	The pump is sucking air through a leak at a connection on the suction side.	→ Check all connections and make them air-tight as necessary.
	Pump is not adequately primed with the liquid to be pumped.	→ Fill the pump and ensure that the water is able to flow back into the pressure line (see 3. OPERATION).
	Air cannot escape on the pressure side, because the pressure side outlets are closed.	→ Open the pressure side outlets.
<b>Pump motor does not start or stops suddenly during operation</b>	End of the suction hose is not in the water, the non-return valve at the end of the suction hose is missing or leaking, the suction hose is kinked, connections are leaking or the suction filter is blocked.	→ Check the complete suction hose from suction point through to the pump for leak-tightness and repair any leaks as necessary. Check the intake side water supply. If applicable, clean the suction filter.
	Mains plug not plugged in.	→ Insert mains plug into a mains socket (230 V AC).
	Power failure.	→ Check fuse and cables.
<b>Pump motor runs, but quantity delivered or pressure fall away suddenly</b>	Thermo circuit breaker activated (pump housing heated).	→ Ensure sufficient ventilation and allow the pump to cool for approx. 15 min. Unplug the pump and restart it (see 3. OPERATION).
	Leak on the suction side.	→ Repair the leak.
	Too little water on intake side.	→ Throttle the pump on the pressure side so that the flow quantity on the suction side is governed by that on the pressure side.
<b>Pump switches on and off too frequently</b>	Suction filter, check valve or backflow preventer at the end of the suction hose is blocked.	→ Clean the suction filter, check valve or backflow preventer.
	Leakage on delivery side.	→ Check the delivery side for leaks and remove as necessary.
	Pressure in the boiler is too low.	→ Top up the air in the storage tank (see below).
	Boiler diaphragm is damaged.	→ Contact GARDENA Service.
<b>Pump switches on and off several times before shutting down</b>	Rotary switch is not turned to <b>RUN</b> .	→ Turn the rotary switch completely to <b>RUN</b> .
	Installation-related fluctuations in pressure.	→ Turn ECO switch slightly towards <b>MAX</b> .
<b>Pump does not switch off after water retrieval</b>	Cut-out pressure not reached.	→ Turn the ECO switch towards <b>ECO</b> .

### Top up the air in the storage tank [Fig. T1]:

The pressure in the storage tank must be approx. 1.0 bar.

To top up the air, an air pump/tyre pump with a pressure gauge (manometer) is required.

1. Unscrew the protective cover ①.
2. Open all pressure side outlets, so that the pressure side is depressurised.
3. Attach the air pump/tyre pump to the boiler valve ② and pump air in until the air pump/tyre pump pressure gauge shows approx. 1.0 bar.
4. Screw the protective cover ① back on.



**NOTE: For any other malfunctions please contact the GARDENA service department. Repairs must only be done by GARDENA service departments or specialist dealers approved by GARDENA.**

## 7. ACCESSORIES

<b>GARDENA Suction Hoses</b>	Kink and vacuum-resistant, sold by the metre with 19 mm (3/4"), 25 mm (1") or 32 mm (5/4") diameter without fittings or in fixed lengths Art. no. 1411/1418, complete with fittings.	
<b>GARDENA Suction Hose Fittings</b>	For vacuum-resistant connection of the pump to the suction hose sold by the metre.	<b>Art. 1723/1724</b>
<b>Suction Filter with Backflow Preventer</b>	To equip suction hoses with Backflow Preventer sold by the metre.	<b>Art. 1726/1727</b>
<b>GARDENA Pump Preliminary Filter</b>	Recommended for pumping sandy water.	<b>Art. 1730/1731</b>
<b>GARDENA Bore Hole Suction Hose</b>	For vacuum-resistant connection of the pump to boreholes or pipe networks. Length 0.5 m. With 33.3 mm (G1) female thread at both ends.	<b>Art. 1729</b>
<b>GARDENA Spring mounted feet (4 x)</b>	Spring mounted feet for vibration-free, quiet running. Can be obtained via GARDENA Service.	<b>Art. 1753-00.901.00</b>

## 8. TECHNICAL DATA

Pressure Tank Unit	Unit	Value (Art. 1753)
<b>Mains voltage / Mains frequency</b>	V / Hz (AC)	230/50
<b>Rated Power</b>	W	650
<b>Connection cable</b>	m	1.5 H05RN-F
<b>Max. delivery capacity</b>	l/h	2800
<b>Max. pressure/ max. delivery head</b>	bar/m	4.0/40
<b>Max. suction height</b>	m	8
<b>Cut-in pressure</b>	bar	1.5 ± 0.1
<b>Switch-off pressure eco/max.</b>	bar	2.2/3.2
<b>Perm. internal pressure (delivery side)</b>	bar	6
<b>Weight</b>	kg	13.6
<b>Dimensions (L x W x H) [Fig. TD1]</b>	cm	45 x 29 x 62
<b>Sound power level <math>L_{WA}^{1)}</math>: measured/guaranteed Uncertainty <math>k_{WA}^{1)}</math></b>	dB (A)	79 / 80 2.2

Measuring process complying with: <sup>1)</sup> RL 2000/14/EG



**NOTE: The stated vibration emission value has been measured according to a standardized test procedure and can be used for comparison of one electric power tool with another. It can also be used for preliminary evaluation of exposure. The vibration emission value can vary during actual use of the electric power tool.**

## 9. SERVICE / WARRANTY

### Service:

Please contact the address on the back page.

### Warranty:

In the event of a warranty claim, no charge is levied to you for the services provided.

GARDENA Manufacturing GmbH offers a two-year warranty (effective as of the date of purchase) for this product. This warranty includes all significant defects of the product that can be proved to be material or manufacturing faults. This warranty is fulfilled by supplying a fully functional replacement product or by repairing the faulty product sent to us free of charge; we reserve the right to choose between these options. This service is subject to the following provisions:

- The product was used for its intended purpose as per the recommendations in the operating instructions.
- Neither the purchaser nor a third party has attempted to repair the product.

This manufacturer's warranty does not affect warranty entitlements against the dealer/retailer.

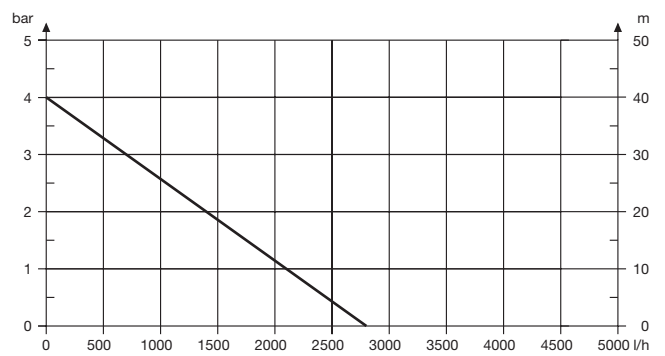
If problems arise with this product, please contact our Service department or send the defective product along with a brief description of the fault to GARDENA Manufacturing GmbH, making sure to have sufficiently covered any shipping costs and to have followed the relevant postage and packaging guidelines. A warranty claim must be accompanied by a copy of the proof of purchase.

**Consumables:**

The impeller and filter are wearing parts and are therefore not covered by the warranty.

---

**Pumpen-Kennlinien**  
**Performance characteristics**  
**Courbes de performance**  
**Prestatiegrafiek**  
**Капацитетскрва**  
**Ydelses karakteristika**  
**Pumpun ominaiskäyrä**  
**Pumpekarakteristikk**  
**Curva di rendimento**  
**Curva característica**  
**de la bomba**  
**Características de**  
**performance**  
**Charakterystyka pompy**  
**Szivattyú-jelleggörbe**  
**Charakteristika čerpadla**  
**Charakteristiky čerpadla**  
**Χαρητηριστικό διάγραμμα**  
**Характеристика насоса**  
**Karakteristika črpalka**  
**Obilježja pumpe**  
**Karakteristika pumpe**  
**Крива характеристики насоса**  
**Characteristică pompă**  
**Pompa karakter eğrisi**  
**Помпена характеристика**  
**Fuqja e pompës**  
**Pumba karakteristik**  
**Siurblio charakteristinė kreivė**  
**Sūkņa raksturlīkne**







**Deutschland / Germany**

GARDENA  
Manufacturing GmbH  
Central Service  
Hans-Lorenser-Straße 40  
D-89079 Ulm  
Produktfragen:  
(+49) 731 490-123  
Reparaturen:  
(+49) 731 490-290  
service@gardena.com

**Albania**

COBALT Sh.p.k.  
Rr. Siri Kodra  
1000 Tirana

**Argentina**

Husqvarna Argentina S.A.  
Av.del Libertador 5954 –  
Piso 11 – Torre B  
(C1428ARP) Buenos Aires  
Phone: (+54) 11 5194 5000  
info.gardena@  
ar.husqvarna.com

**Armenia**

Garden Land Ltd.  
61 Tigran Mets  
0005 Yerevan

**Australia**

Husqvarna Australia Pty. Ltd.  
Locked Bag 5  
Central Coast BC  
NSW 2252  
Phone: (+61) (0) 2 4352 7400  
customer.service@  
husqvarna.com.au

**Austria / Österreich**

Husqvarna Austria GmbH  
Industriezeile 36  
4010 Linz  
Tel.: (+43) 732 77 01 01-485  
service.gardena@  
husqvarnagroup.com

**Azerbaijan**

Firm Progress  
a. Aliyev Str. 26A  
1052 Baku

**Belgium**

Husqvarna België nv/sa  
Gardena Division  
Rue Egide Van Ophem 111  
1180 Uccle / Ukkel  
Tel.: (+32) 2 720 92 12  
info@gardena.be

**Bosnia / Herzegovina**

SILK TRADE d.o.o.  
Industrijska zona Bukva bb  
74260 Tešanj

**Brazil**

Husqvarna do Brasil Ltda  
Av. Francisco Matarazzo,  
1400 – 19º andar  
São Paulo – SP  
CEP: 05001-903  
Tel: 0800-112252  
marketing.br.husqvarna@  
husqvarna.com.br

**Bulgaria**

AGROLAND България АД  
бул. 8 Декември, №13  
Офис 5  
1700 Студентски град  
София  
Тел.: (+359) 24 66 69 10  
info@agroland.eu

**Canada / USA**

GARDENA Canada Ltd.  
100 Summerlea Road  
Brampton, Ontario L6T 4X3  
Phone: (+1) 905 792 93 30  
info@gardenacanada.com

**Chile**

Maquinarias Agroforestales  
Ltda. (Maga Ltda.)  
Santiago, Chile  
Avda. Chesterton  
# 8355 comuna Las Condes  
Phone: (+56) 2 202 4417  
Dalton@maga.cl  
Zipcode: 7560330

**China**

Husqvarna (Shanghai)  
Management Co., Ltd.  
富世华 (上海) 管理有限公司  
3F, Benq Square B,  
No207, Song Hong Rd.,  
Chang Ning District,  
Shanghai, PRC. 200335  
上海市市长宁区淞虹路207号明  
基广场B座3楼, 邮编: 200335

**Colombia**

Husqvarna Colombia S.A.  
Calle 18 No. 68 D-31, zona  
Industrial de Montevideo  
Bogotá, Cundinamarca  
Tel. 571 2922700 ext. 105  
jairo.salazar@  
husqvarna.com.co

**Costa Rica**

Compania Exim  
Euroberoamericana S.A.  
Los Colegios, Moravia,  
200 metros al Sur del Colegio  
Saint Francis – San José  
Phone: (+506) 297 68 83  
exim\_euro@racsa.co.cr

**Croatia**

Husqvarna Austria GmbH  
Industriezeile 36  
4010 Linz  
Tel.: (+43) 732 77 01 01-485  
service.gardena@  
husqvarnagroup.com

**Cyprus**

Med Marketing  
17 Digeni Akrita Ave  
P.O. Box 27017  
1641 Nicosia  
**Czech Republic**  
Husqvarna Česko s.r.o.  
Türkova 2319/5b  
149 00 Praha 4 – Chodov  
Bezplatná infolinka:  
800 100 425  
servis@cz.husqvarna.com

**Denmark**

GARDENA DANMARK  
Lejrvej 19, st.  
3500 Værløse  
Tlf.: (+45) 70 26 47 70  
husqvarna@husqvarna.dk  
www.gardena.com/dk

**Dominican Republic**

BOSQUESA, S.R.L  
Carretera Santiago Licey  
Km. 5 ½  
Esquina Copal II.  
Santiago  
Dominican Republic  
Phone: (+809) 736-0333  
joserbosquesa@claro.net.do

**Ecuador**

Husqvarna Ecuador S.A.  
Arupos E1-181 y 10 de  
Agosto Quito, Pichincha  
Tel. (+593) 22800739  
francisco.jacome@  
husqvarna.com.ec

**Estonia**

Husqvarna Eesti OÜ  
Valdeku 132  
EE-11216 Tallinn  
info@gardena.ee

**Finland**

Oy Husqvarna Ab  
Gardena Division  
Lautatarhankatu 8 B/PL 3  
00581 HELSINKI  
www.gardena.fi

**France**

Husqvarna France  
9/11 Allée des pierres mayettes  
92635 Gennevilliers Cedex  
France  
http://www.gardena.com/fr  
N° AZUR: 0 810 00 78 23  
(Prix d'un appel local)

**Georgia**

Transporter LLC  
8/57 Beliashvili street  
0159 Tbilisi, Georgia  
Phone: (+995) 322 14 71 71

**Great Britain**

Husqvarna UK Ltd  
Preston Road  
Aycliffe Industrial Park  
Newton Aycliffe  
County Durham  
DL5 6UP  
info.gardena@  
husqvarna.co.uk

**Greece**

Π. ΠΑΠΑΔΟΠΟΥΛΟΣ ΑΕΒΕ  
Λεωφ. Αθηνών 92  
Αθήνα  
T.K.104 42  
Ελλάδα  
Τηλ. (+30) 210 51 93 100  
info@papadopoulos.com.gr

**Hungary**

Husqvarna Magyarország Kft.  
Ezred u. 1-3  
1044 Budapest  
Telefon: (+36) 1 251-4161  
vevoszolgalat.husqvarna@  
husqvarna.hu

**Iceland**

Ó. Johnson & Kaaber  
Tunguhalsi 1  
110 Reykjavik  
ooj@ojk.is

**Ireland**

Husqvarna UK Ltd  
Preston Road  
Aycliffe Industrial Park  
Newton Aycliffe  
County Durham  
DL5 6UP  
info.gardena@  
husqvarna.co.uk

**Italy**

Husqvarna Italia S.p.A.  
Via Santa Vecchia 15  
23868 VALMADRERA (LC)  
Phone: (+39) 0341.203.111  
assistenza.italia@  
it.husqvarna.com

**Japan**

KAKUICHI Co. Ltd.  
Sumitomo Realty &  
Development Kojimachi  
BLDG., 8F  
5-1 Nibannco  
Chiyoda-ku  
Tokyo 102-0084  
Phone: (+81) 33 264 4721  
m\_ishihara@kaku-ichi.co.jp

**Kazakhstan**

LAMED Ltd.  
155/1, Tazhibayevoi Str.  
050060 Almaty  
IP Schmidt  
Abayavenue 3B  
110 005 Kostanay

**Korea**

Kyung Jin Trading CO.,LTD.  
107-4, SunDuk Bld.,  
YangJae-dong,  
Seocho-gu,  
Seoul, (zipcode: 137-891)  
Phone: (+82) (0)2 574-6300

**Kyrgyzstan**

Alye Maki  
av. Moladaya Guardir J 3  
720014  
Bishkek

**Latvia**

Husqvarna Latvija SIA  
Ulbrokas 19A  
LV-1021 Rīga  
info@gardena.lv

**Lithuania**

UAB Husqvarna Lietuva  
Ateities pl. 77C  
LT-52104 Kaunas  
info@gardena.lt

**Luxembourg**

Magasins Jules Neuberger  
39, rue Jacques Stas  
Luxembourg-Gasperich 2549  
Case Postale No. 12  
Luxembourg 2010  
Phone: (+352) 40 14 01  
api@neuberger.lu

**Mexico**

AFOSA  
Av. Lopez Mateos Sur # 5019  
Col. La Calma 45070  
Zapopan, Jalisco  
Mexico  
Phone: (+52) 33 3818-3434  
icornejo@afosa.com.mx

**Moldova**

Convel S.R.L.  
290A Muncesti Str.  
2002 Chisinau

**Netherlands**

Husqvarna Nederland B.V.  
GARDENA Division  
Postbus 50131  
1305 AC ALMERE  
Phone: (+31) 36 521 00 10  
info@gardena.nl

**Neth. Antilles**

Jonka Enterprises N.V.  
Sta. Rosa Weg 196  
P.O. Box 8200  
Curaçao  
Phone: (+599) 9 767 66 55  
pgm@jonka.com

**New Zealand**

Husqvarna New Zealand Ltd.  
PO Box 76-437  
Manukau City 2241  
Phone: (+64) (0) 9 9202410  
support.nz@husqvarna.co.nz

**Norway**

Husqvarna Norge AS  
Gardena Division  
Trøskenveien 36  
1708 Sarpsborg  
info@gardena.no

**Peru**

Husqvarna Perú S.A.  
Jr. Ramón Cárcamo 710  
Lima 1  
Tel: (+51) 1 3320400 ext. 416  
juan.remuzgo@  
husqvarna.com

**Poland**

Husqvarna  
Poland Spółka z o.o.  
ul. Wysockiego 15 b  
03-371 Warszawa  
Phone: (+48) 22 330 96 00  
gardena@husqvarna.com.pl

**Portugal**

Husqvarna Portugal, SA  
Lagoa - Albarraque  
2635 - 595 Rio de Mouro  
Tel.: (+351) 21 922 85 30  
Fax : (+351) 21 922 85 36  
info@gardena.pt

**Romania**

Madex International Srl  
Soseaua Odaii 117-123,  
RO 013603 București, S1  
Phone: (+40) 21 352.76.03  
madex@ines.ro

**Russia / Россия**

ООО „Хускварна“  
141400, Московская обл.,  
г. Химки,  
улица Ленинградская,  
владение 39, стр.6  
Бизнес Центр  
„Химки Бизнес Парк“,  
помещение ОВ02\_04  
http://www.gardena.ru

**Serbia**

Domel d.o.o.  
Autoput za Novi Sad bb  
11 273 Belgrade  
Phone: (+381) 1 18 48 88 12  
miroslav.jejina@domel.rs

**Singapore**

Hy-Ray PRIVATE LIMITED  
40 Jalan Pemimpin  
#02-08 Tat Ann Building  
Singapore 577185  
Phone: (+65) 6253 2277  
shiyiing@hyray.com.sg

**Slovak Republic**

Husqvarna Česko s.r.o.  
Türkova 2319/5b  
149 00 Praha 4 – Chodov  
Bezplatná infolinka:  
800 154 044  
servis@sk.husqvarna.com

**Slovenia**

Husqvarna Austria GmbH  
Industriezeile 36  
4010 Linz  
Tel.: (+43) 732 77 01 01-485  
service.gardena@  
husqvarnagroup.com

**South Africa**

Husqvarna  
South Africa (Pty) Ltd  
Postnet Suite 250  
Private Bag X6,  
Cascades, 3202  
South Africa  
Phone: (+27) 33 846 9700  
info@gardena.co.za

**Spain**

Husqvarna España S.A.  
Calle de Rivas nº 10  
28052 Madrid  
Phone: (+34) 91 708 05 00  
atencioncliente@gardena.es

**Suriname**

Agrofix n.v.  
Verlengde Hogestraat #22  
Phone: (+597) 472426  
agrofix@sr.net  
Pobox : 2006  
Paramaribo  
Suriname – South America

**Sweden**

Husqvarna AB  
Gardena Division  
S-561 82 Husqvarna  
Gardenaorder@husqvarna.se

**Switzerland / Schweiz**

Husqvarna Schweiz AG  
Consumer Products  
Industriestrasse 10  
5506 Mägenwil  
Phone: (+41) (0) 62 887 37 90  
info@gardena.ch

**Turkey**

Dost Bahçe Diş Ticaret  
Müessesilik A.Ş  
Yunus Mah. Adil Sok. No:3  
Ic Kapi No: 1 Kartal  
34873 Istanbul  
Phone: (+90) 216 38 93 939  
info@dostbahce.com.tr

**Ukraine / Україна**

ТОВ «Хускварна Україна»  
вул. Васильківська, 34,  
офіс 204-г  
03022, м. Київ  
Тел. (+38) 044 498 39 02  
info@gardena.ua

**Uruguay**

FELI SA  
Entre Rios 1083 CP 11800  
Montevideo – Uruguay  
Tel: (+598) 22 03 18 44  
info@felisa.com.uy

**Venezuela**

Corporación Casa y Jardín C.A.  
Av. Caroní, Edif. Trezmen, PB.  
Colinas de Bello Monte.  
1050 Caracas.  
Tlf: (+58) 212 992 33 22  
info@casayjardin.net.ve

1753-20.960.04/0218

© GARDENA  
Manufacturing GmbH  
D-89070 Ulm  
http://www.gardena.com